

DMX 512 SIGNAL AMPLIFIER



CE RoHS

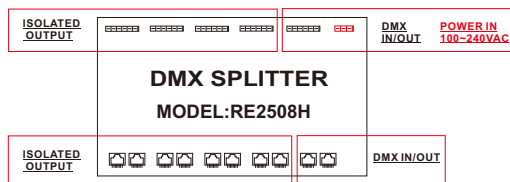
Introduction

RE2508H digital signal distributor is used to DMX512 digital lighting control signal for amplification and 8 channels distribution output, each input/output interface adopts high voltage isolation technology, applied to DMX512 signal via remote transmission attenuation after the plastic amplification processing, as well as various distribution output interface, between input interface and the distribution between output interface to complete electrical isolation use occasion. As a result of each interface between independent isolation, and it can be avoided by controlling circuit, scanner, silicon box problems and burned precision digital light console, to ensure the safe operation of digital light console, at the same time also guarantee DMX signal can normal transfer to all kinds of lighting equipment, so as to improve the whole digital lighting control system reliability.

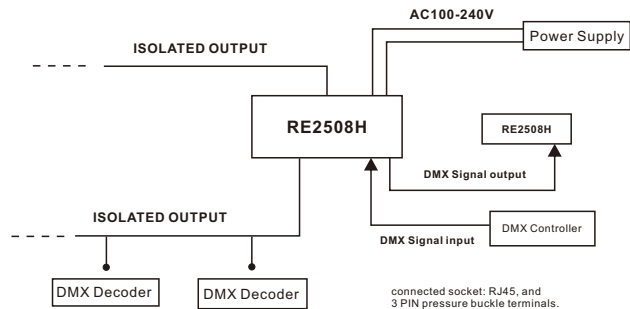
Specifications

Mode:	RE2508H	Max Load:	DMX512/1990*8CH
Input Voltage:	100~240VAC	Input/Output Socket:	RJ45/Screwless terminal
Input Signal:	DMX512/1990	Protection grade:	IP40
Segregation voltage:	>1000V	Working Temperature:	-30℃~70℃
Weight(G.W):	935g	Product size:	L250*W130*H24(mm)

Component Diagram



Application connection diagram



*At the end of the wiring, we should connect a DMX signal finalizer.

Product Operation

DMX signal cable is made of twisted pair (line), DMX signal includes positive and negative end, in pressure welding DMX signal line plug should pay special attention to polarity. DMX512 controller output signal positive, signal negative, signal ground with DMX Decoder input interface corresponding connection. Controller output and DMX Decoder transmission lines can't be over 300 meters. Controller each interface can with not more than 170 DMX Decoder. Eight output interface. Through the JBLED FLASH light making software and can with computer on line control. Realize infinite contact the DMX lights. When contacting 32 DMX Decoder, DMX signal must add a signal amplifier RE2508H. Cascade can't more than 4 PCS.